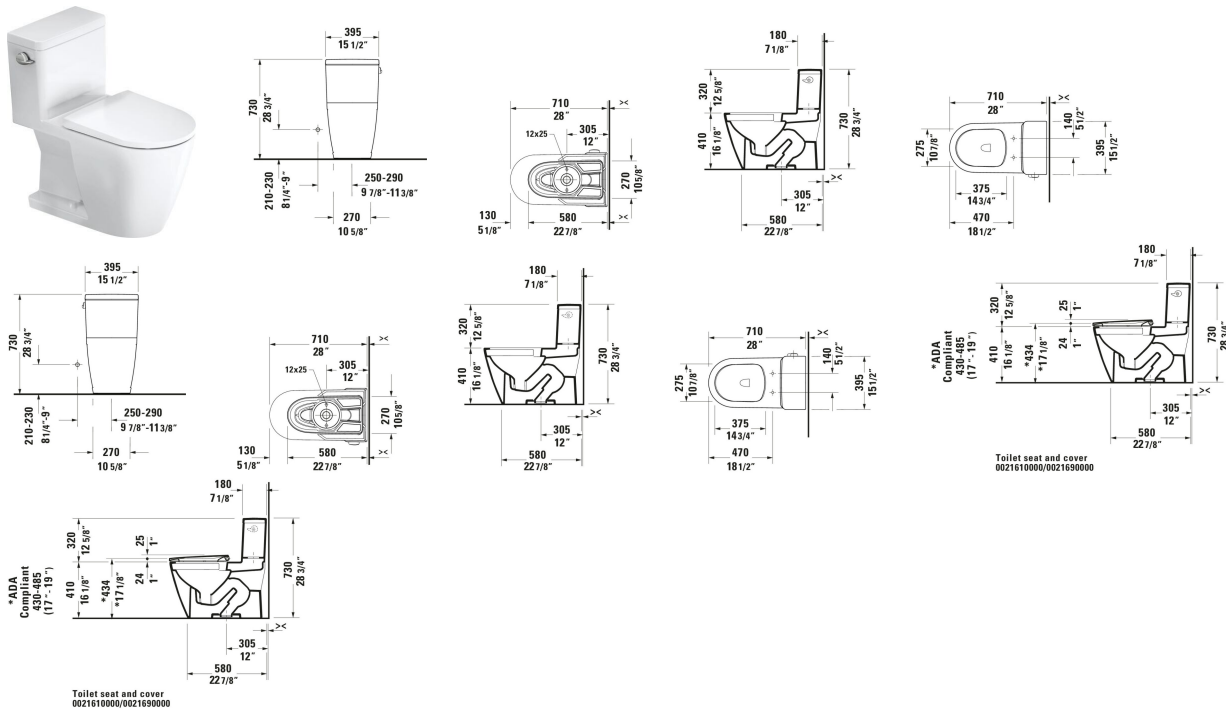


D-Neo One Piece Toilet # 200801..U3 / 200801..U4 / 200801..U3 / 200801..U4

| < 15 1/2 " > |



One Piece Toilet	Dimension	Weight	Order number
28", elongated, White High Gloss, Single Flush, Siphonic, Flushing rim: Rimless, Outlet: vertical, Trip lever placement: Left/Right, Rough-in: 12"			
Colors			
00 White 20 HygieneGlaze (an antibacterial ceramic glaze that provides almost indefinite effectiveness)			
Variant			
Flush water quantity: 1.28/0.8 gal, Trip lever placement: Left, WaterSense: Yes, cUPC listed: Yes, cC/IAPMO®: No		124.341 lb	200801..U3
Flush water quantity: 1.28/0.8 gal, Trip lever placement: Right, WaterSense: Yes, cUPC listed: Yes, cC/IAPMO®: No		124.341 lb	200801..U4
HygieneGlaze, Flush water quantity: 1.28 gal, Trip lever placement: Left, WaterSense: Yes, cUPC listed: Yes, cC/IAPMO®: No		124.341 lb	200801..U3
HygieneGlaze, Flush water quantity: 1.28 gal, Trip lever placement: Right, WaterSense: Yes, cUPC listed: Yes, cC/IAPMO®: No		124.341 lb	200801..U4
Spare parts			
Installation Set	2 3/8 x 5 1/8 "	1.874 lb	001417

**D-Neo One Piece Toilet # 200801..U3 / 200801..U4 / 200801..U3
/ 200801..U4**

|< 15 1/2 " >|

All drawings contain the necessary measurements which are subject to standard tolerances. They are stated in inch & mm and are non-binding. Exact measurements, in particular for customized installation scenarios, can only be taken from the finished ceramic piece.